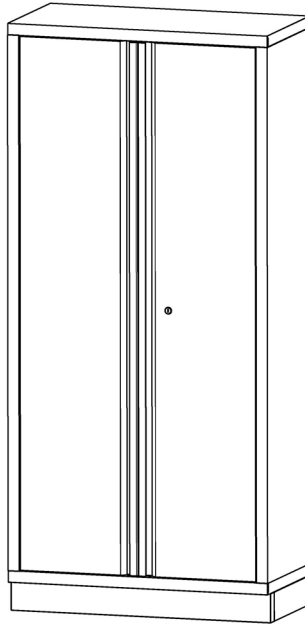


# Clarke®



## TWO DOOR CABINET

MODEL NO: GSM09

PART NO: 7632090

## ASSEMBLY INSTRUCTIONS

---

## **INTRODUCTION**

---

Thank you for purchasing this CLARKE cabinet.

Before attempting to use this product, please read this manual thoroughly and follow the instructions carefully. In doing so you will ensure the safety of yourself and that of others around you, and you can look forward to your purchase giving you long and satisfactory service.

---

## **GUARANTEE**

---

This product is guaranteed against faulty manufacture for a period of 12 months from the date of purchase. Please keep your receipt which will be required as proof of purchase.

This guarantee is invalid if the product is found to have been abused or tampered with in any way, or not used for the purpose for which it was intended.

Faulty goods should be returned to their place of purchase, no product can be returned to us without prior permission.

This guarantee does not effect your statutory rights.

---

## SAFETY WARNINGS

---



**WARNING: READ ALL SAFETY INSTRUCTIONS TO REDUCE THE RISK OF INJURY. RETAIN THESE INSTRUCTIONS FOR FUTURE REFERENCE.**

---

1. Ensure Health & Safety, local authority, and general workshop practice regulations are adhered to when using this storage system.
2. Locate in a suitable work area.
3. Keep the work area clean, uncluttered and ensure there is adequate lighting.
4. Use storage on level and solid ground, preferably concrete.
5. Keep the storage system clean and tidy in accordance with good workshop practice.
6. Keep children and unauthorised persons away from the work area.
7. DO NOT use the storage system for any purpose other than that for which it is designed.
8. DO NOT use the storage system outdoors.
9. DO NOT place the storage system in a damp or wet location or an area where there is condensation.
10. DO NOT clean the storage system with any solvents which may damage the surfaces or the protective coating.
11. DO NOT move the storage system when there are items placed inside.
12. DO NOT step on the shelves.
13. DO NOT overload the storage system.

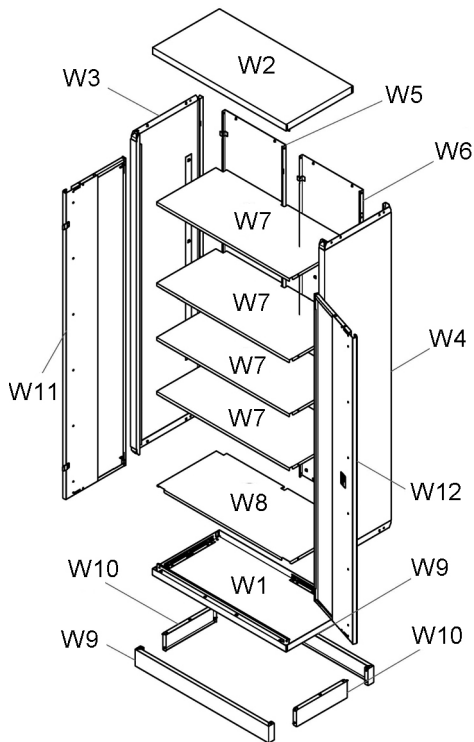
---

## **ASSEMBLY INSTRUCTIONS**

---

1. Place all parts in a clear area and arrange them on the ground in front of you. Check for completeness and for any transport damage
2. Remove all packaging materials and place them back in the box. Do not dispose of the packaging materials until assembly is complete.
3. Erect your cabinet on a level surface.
4. DO NOT use bleach, alkaline or harsh detergents for cleaning. Soap and warm water are recommended.

# COMPONENT PARTS LIST



## PARTS LIST

ITEM	DESCRIPTION	QTY.
W1	Bottom Panel	1
W2	Top Panel	1
W3	Left Side Panel	1
W4	Right Side Panel	1
W5	Left Back Panel	1
W6	Right Back Panel	1
W7	Adjustable Shelf	4
W8	Bottom Shelf	1
W9	Base Front Panel	2
W10	Base Side Panel	2
W11	Left Door	1
W12	Right Door	1

## HARDWARE CONTENTS

NO.	DESCRIPTION	QTY.
A	Screws ST6×12	18+1
B	Bolts M6×12	2
C	Nuts M6	2



A



B

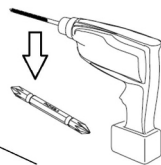


C

## RECOMMENDED TOOLS FOR INSTALLATION

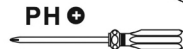


FOR (B) (C)



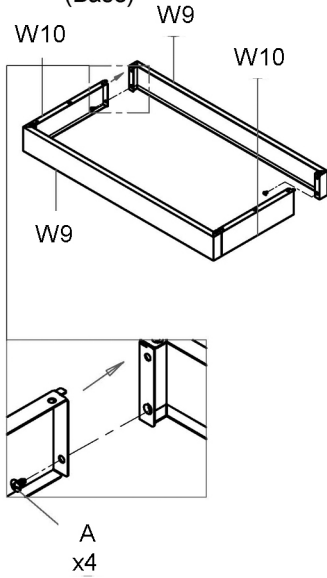
OR

FOR (A)



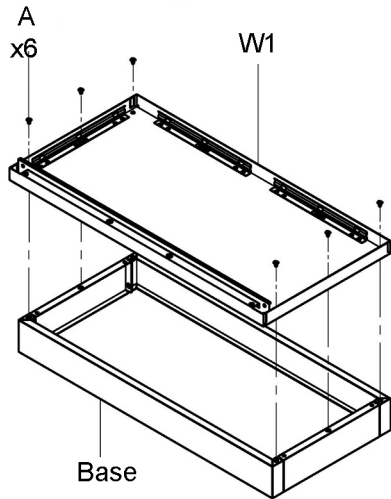
### Step 1

(Base)

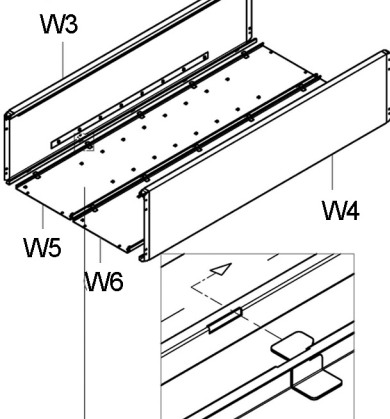


### Step 2

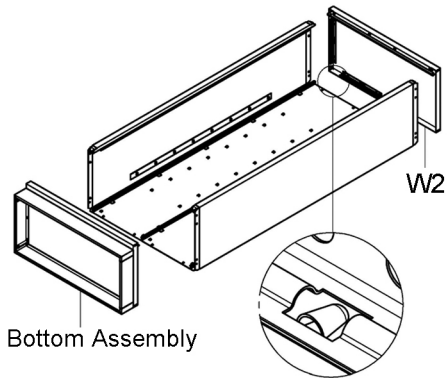
(Bottom Assembly)



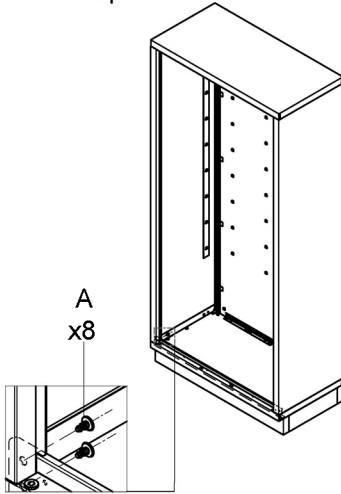
### Step 3



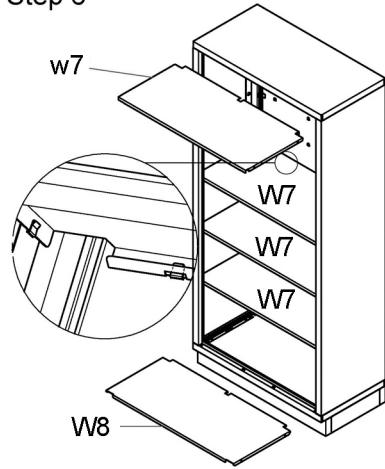
### Step 4



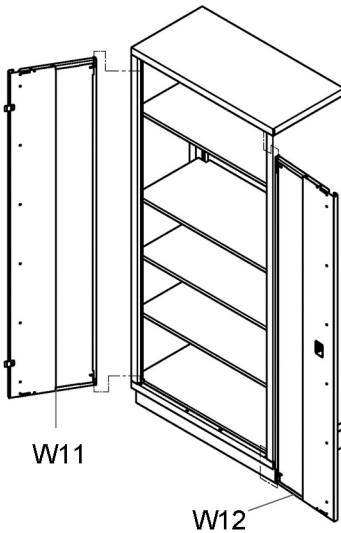
Step 5



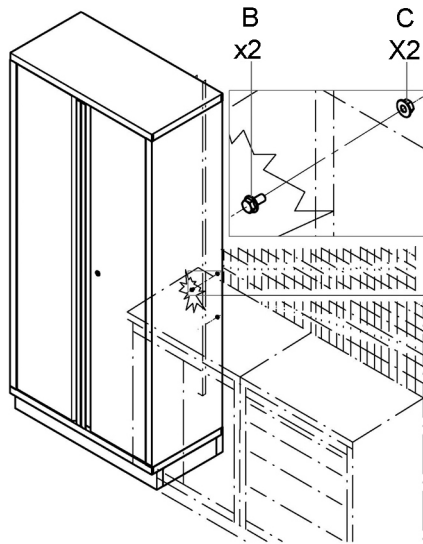
Step 6



Step 7



Step 8



# A SELECTION FROM THE VAST RANGE OF

# Clarke®

## QUALITY PRODUCTS

### AIR COMPRESSORS

From DIY to industrial, Plus air tools, spray guns and accessories.

### GENERATORS

Prime duty or emergency standby for business, home and leisure.

### POWER WASHERS

Hot and cold, electric and engine driven - we have what you need

### WELDERS

Mig, Arc, Tig and Spot. From DIY to auto/industrial.

### METALWORKING

Drills, grinders and saws for DIY and professional use.

### WOODWORKING

Saws, sanders, lathes, mortisers and dust extraction.

### HYDRAULICS

Cranes, body repair kits, transmission jacks for all types of workshop use.

### WATER PUMPS

Submersible, electric and engine driven for DIY, agriculture and industry.

### POWERTOOLS

Angle grinders, cordless drill sets, saws and sanders.

### STARTERS/CHARGERS

All sizes for car and commercial use.



**PARTS & SERVICE: 0208 988 7400**

**E-mail: [Parts@clarkeinternational.com](mailto:Parts@clarkeinternational.com) or [Service@clarkeinternational.com](mailto:Service@clarkeinternational.com)**

**SALES: UK 01992 565333 or Export 00 44 (0)1992 565335**

**Clarke® INTERNATIONAL** Hemnall Street, Epping, Essex CM16 4LG  
[www.clarkeinternational.com](http://www.clarkeinternational.com)